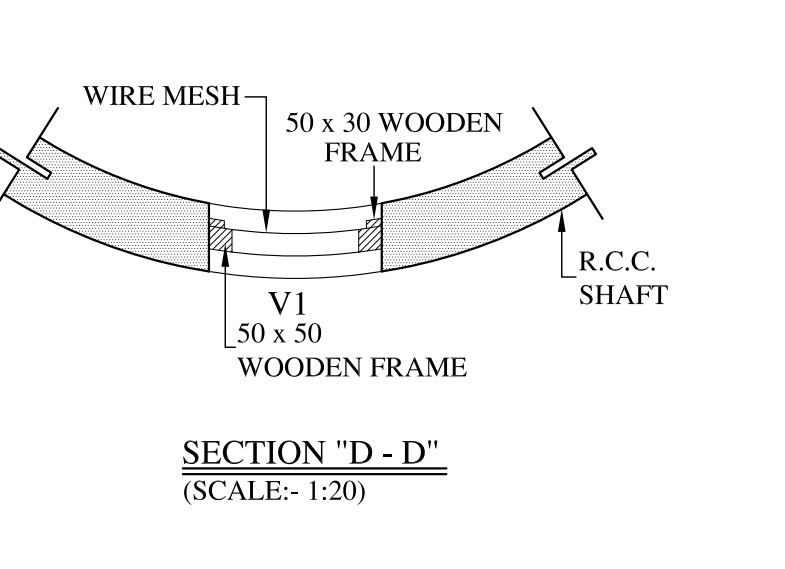
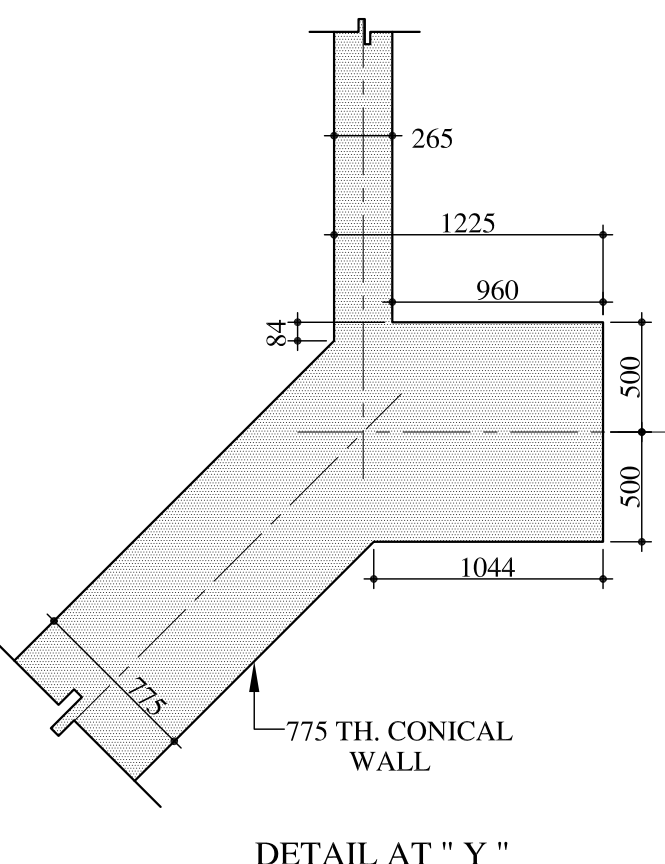
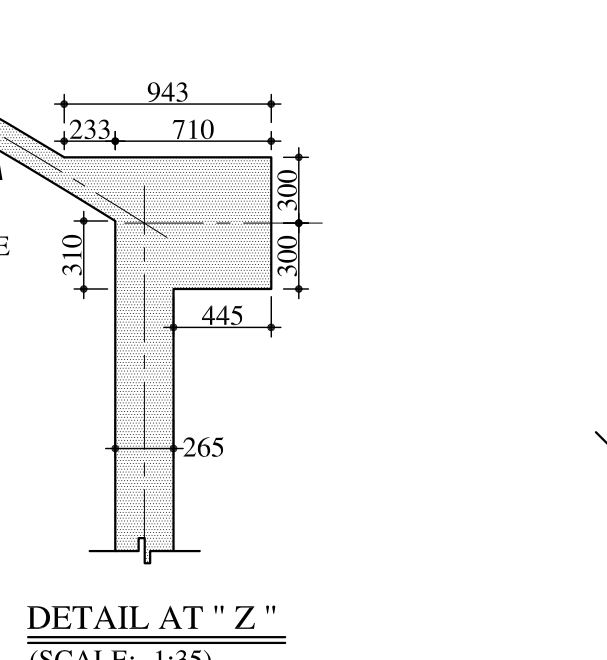
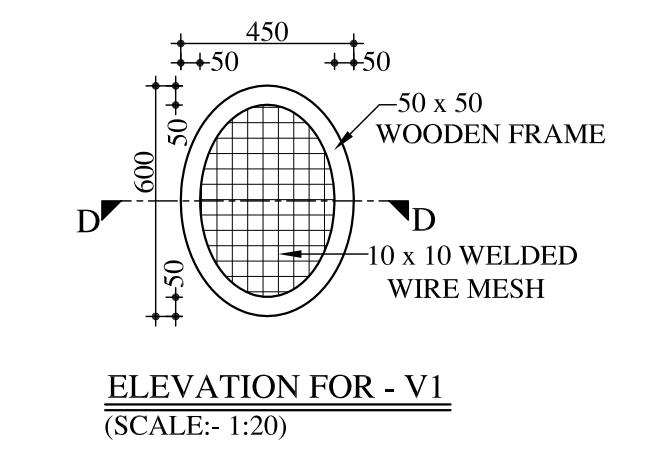
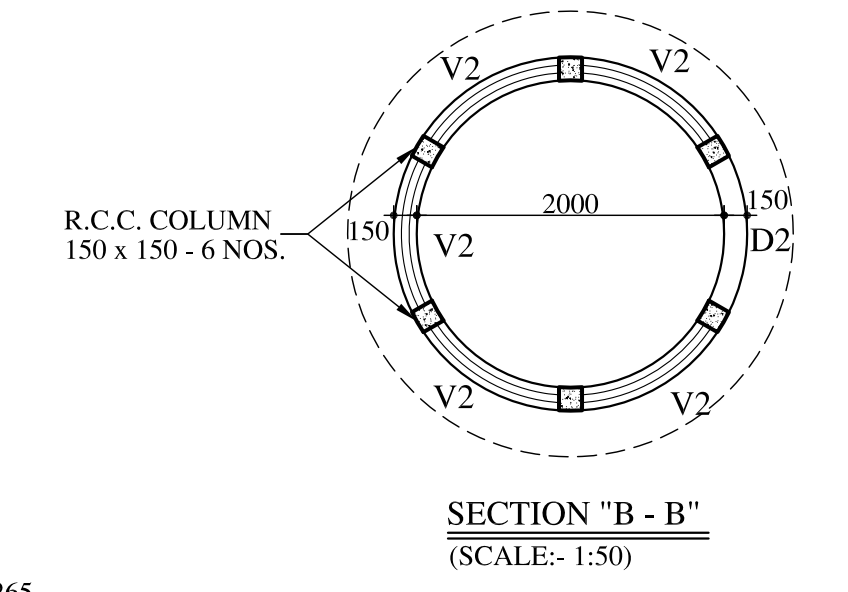
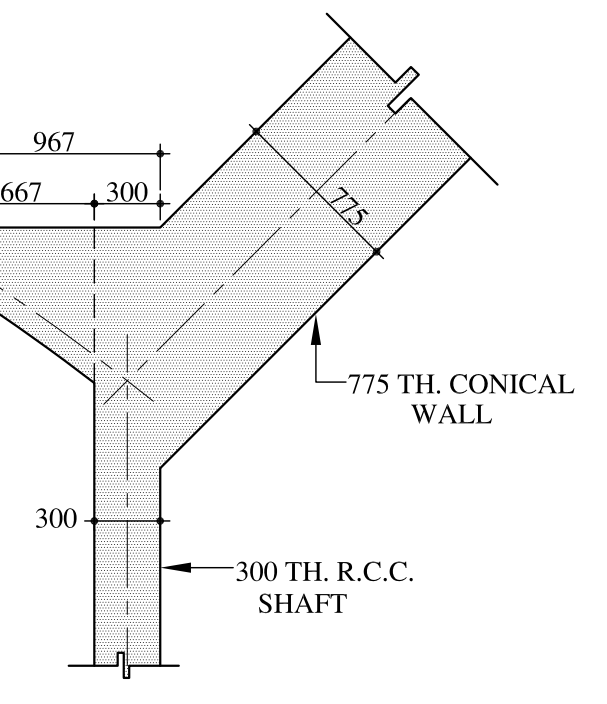
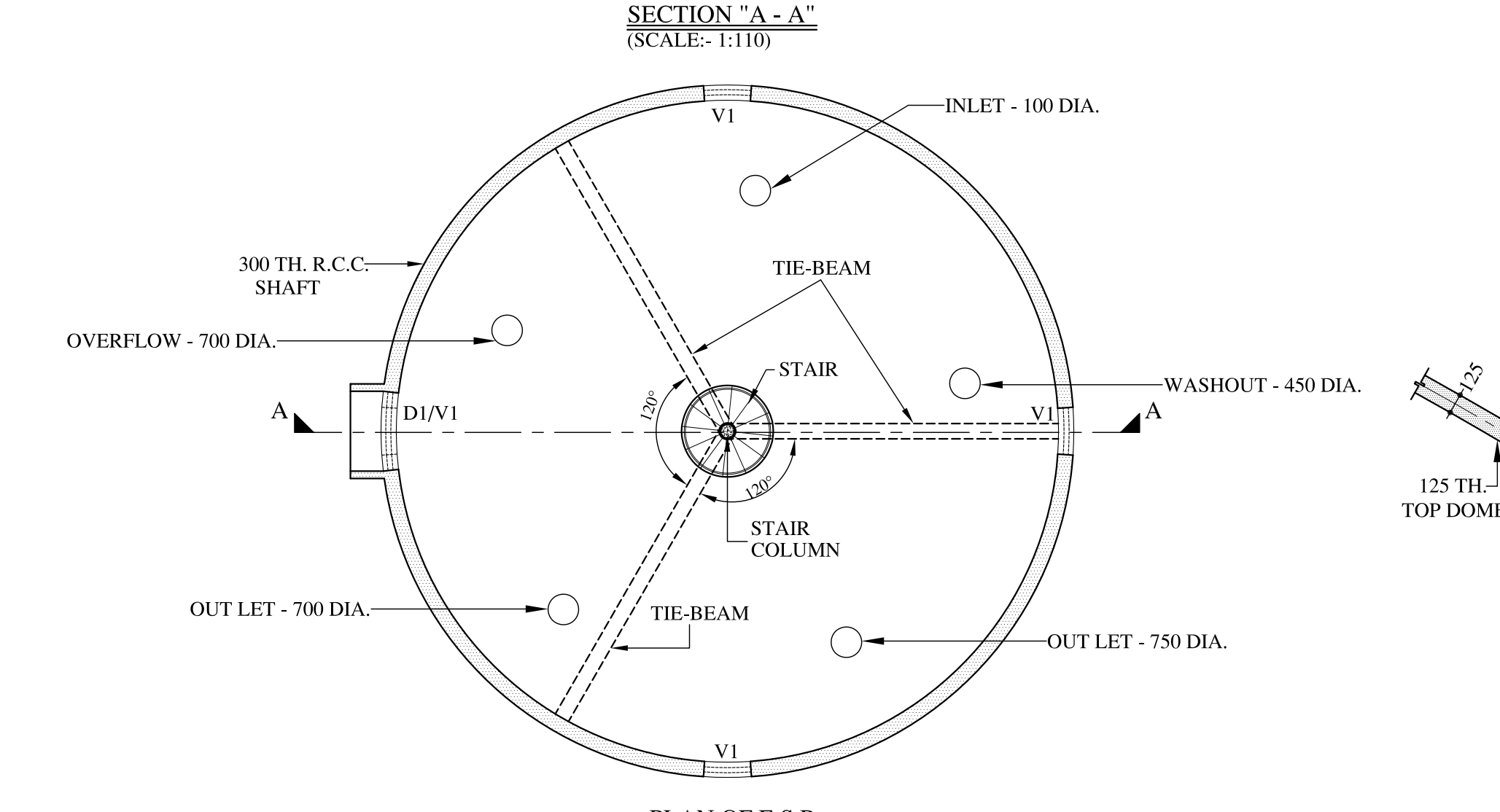
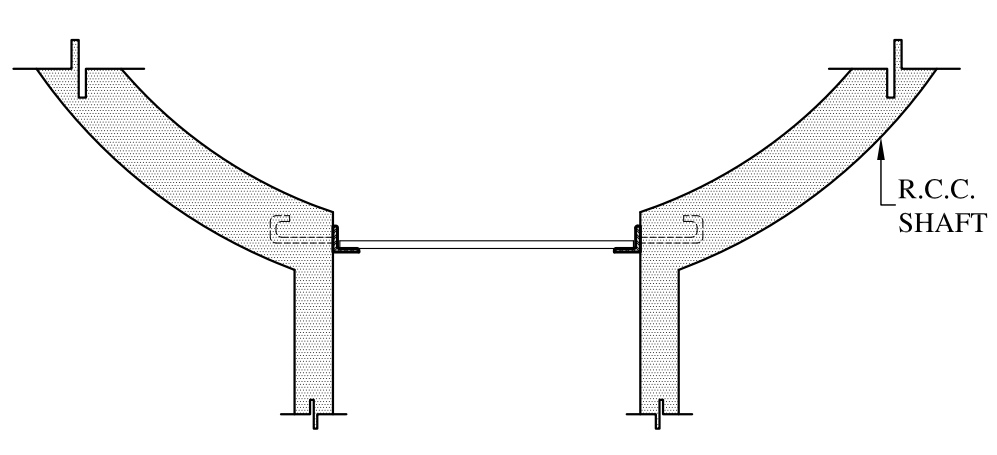
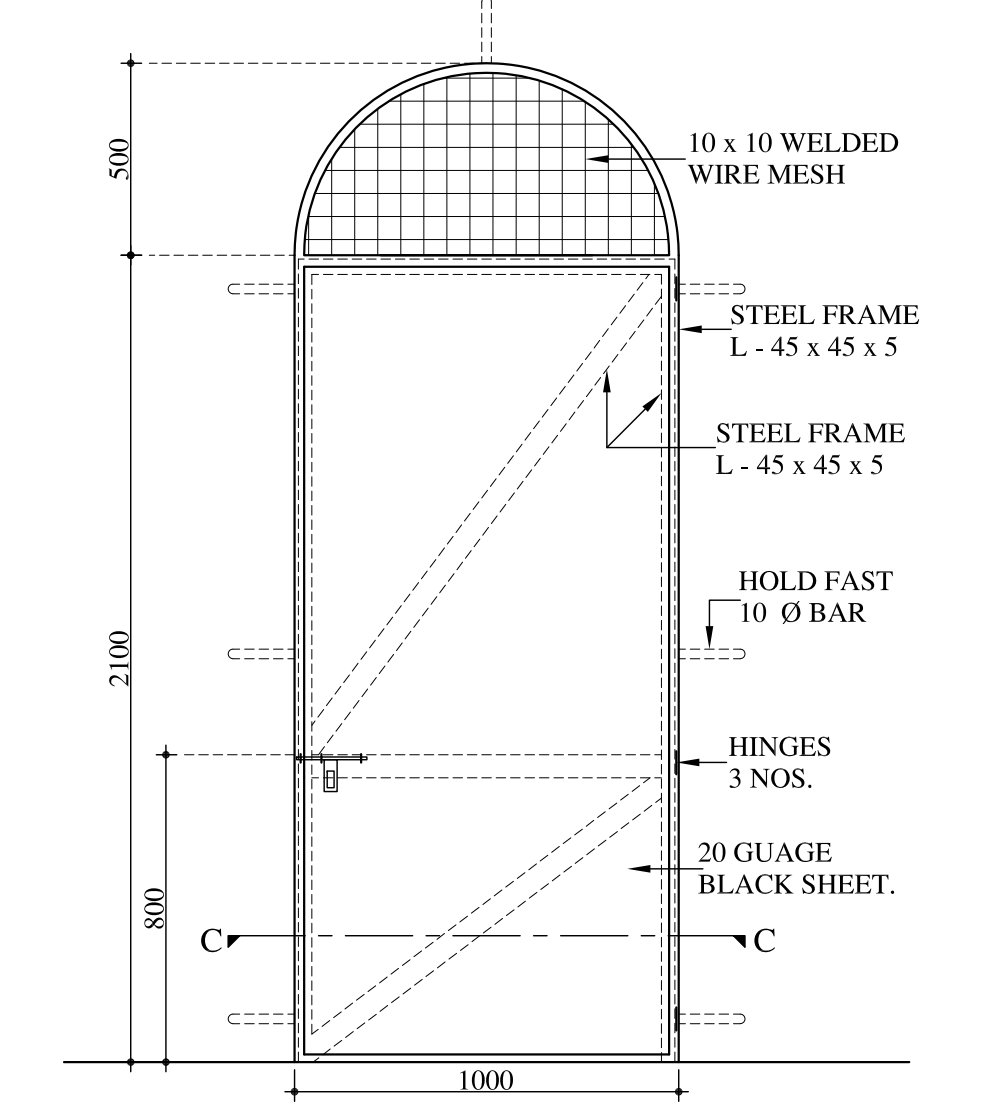


SCHEDULE FOR OPENINGS		
TYPE	SIZE	REMARKS
D1	1000 x 2600	STEEL DOOR
D2	HEIGHT x WIDTH MEASURE AT SITE	FIXED GLASS LOUVERS WITH WOODEN FRAME IN SIDE WELDED WIRMESH.
V1	450 x 600	WELDED WIRE MESH WITH WOODEN FRAME.
V2	HEIGHT x WIDTH MEASURE AT SITE	FIXED GLASS LOUVERS WITH WOODEN FRAME IN SIDE WELDED WIRMESH.



NOTES:-
 1) ALL DIMENSIONS ARE IN m.m.
 2) ANY DIMENSIONS ARE NOT TO BE SCALED FROM DRAWING.
 3) OTHER SPECIFICATIONS SHALL BE AS PER THE TENDER DOCUMENTS.

REV. NO.	REV. DATE	REVISION DETAILS	APPD. BY

DRAWN BY:-
 CHECKED BY:-
 APPROVED BY:-

PRINCIPAL CLIENT :-

ARCHITECT:-

PROJECT TITLE:-

DRG. NO.

DRAWING TITLE:-
 GA DRAWING FOR ESR (REV - 3)

LAKHLANI ASSOCIATES
 CIVIL AND STRUCTURAL ENGINEERS
 SHREE SOCIETY MAIN ROAD
 Nr. SURYAMUKHI HANUMAN TEMPLE
 NANA MAVA MAIN ROAD
 NEXT TO VIVEKANAND SCHOOL
 RAJKOT - 360 001
 PHONE : +91 281 247 51 60
 E-mail : contact@lakhani.com
 Web : www.lakhani.com